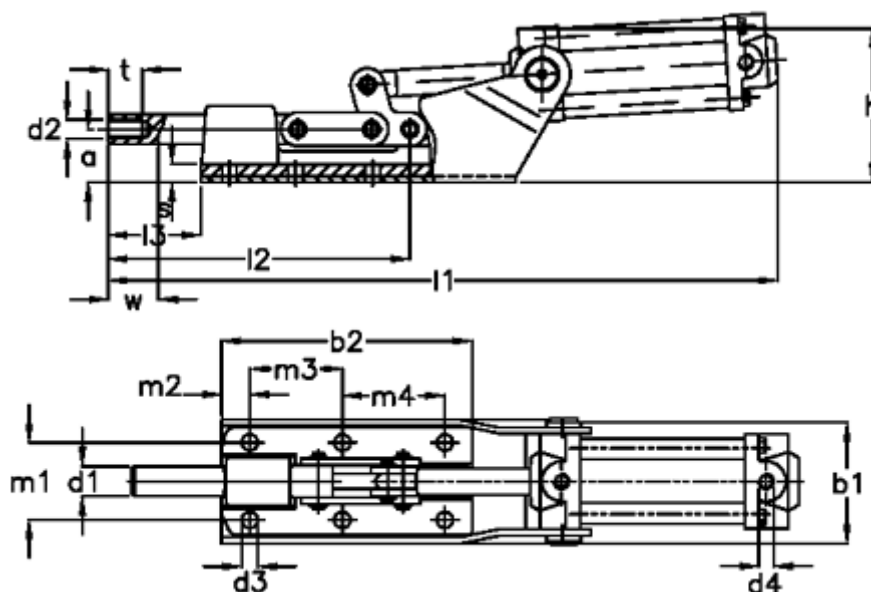


Article number: 2013731222

Description: E+G Klee pneumatically operated clamp  
GN 890-360-SP3-M

## Measures



a	= 27.5	h	= 70	m3	= 36.5
b1	= 55	Holding force N	= 5600	m4	= -
b2	= 90	Hose connector	= 4	s	= 8.5
Clamping force at 4 bar	= 3100	l1	= 260	Size	= 360
d1	= 12.0	l2	= 113.0	t	= 16
d2	= M8	l3	= 32.0	W	= 21
d3	= 5.5	m1	= 33.5		
d4	= G 1/8	m2	= 30.0		